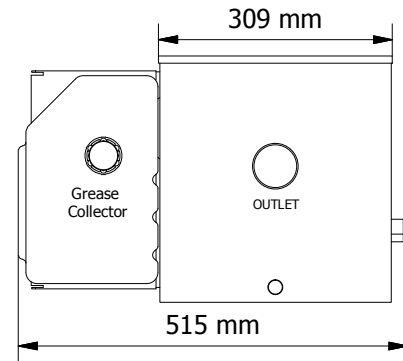
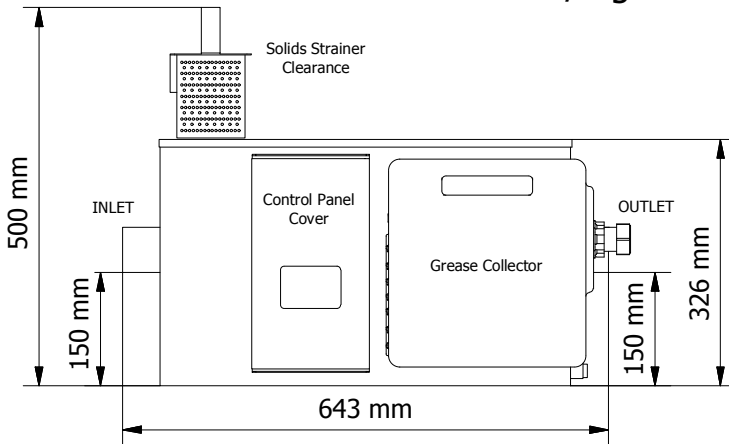
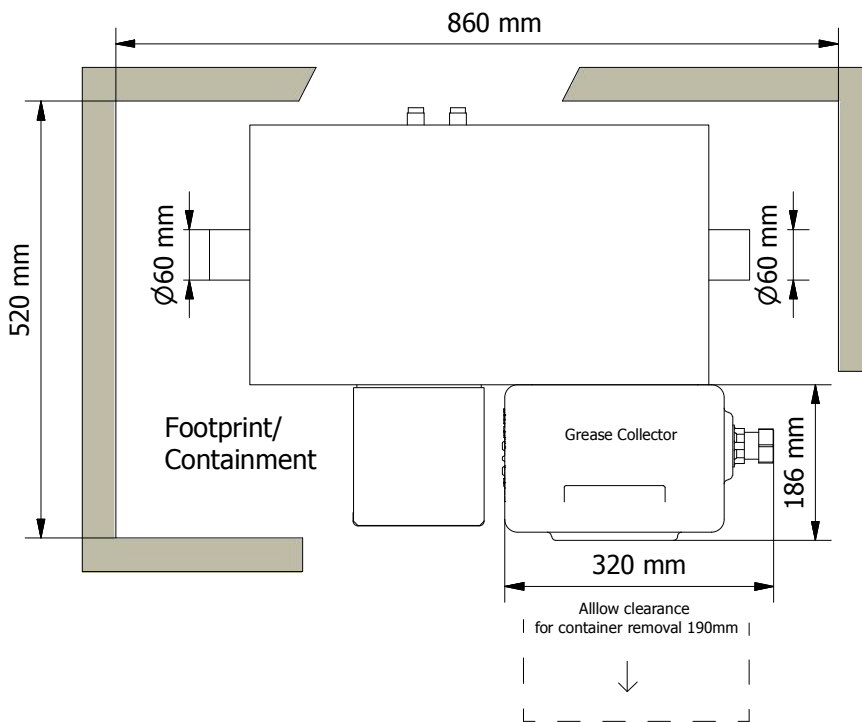
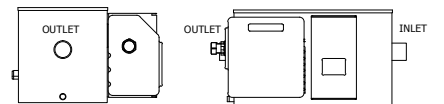


# D1 Grease Guardian 230VAC Specifications

## Left/Right arrangement



Right/Left Arrangement Optional.  
All dimensions to be mirrored.



Overview:  
(Full installation guide with product manual)

Allow for the minimum clearances shown, including clearance for site pipe connections to and from unit

Allow additional 150mm length on outlet pipework for an outlet sampling port if applicable

Electrical supply is single phase. An RCD/ELCB rated 30mA must be installed for all Grease Guardian electrical supplies

Grease Collector is front loading and access should be provided.

Control panel cover should be fully accessible to service personnel

## TECHNICAL DATA

Weight	29 KG
Material	Exterior, 16 gauge stainless steel, bright finish
Interior	Stainless Steel and Acetal Plastic Components
Tank Capacity	30 litres
Maximum Flow Rate	0.75 litres per second
Number of skimming wheels	1 to 3 optional
Solid Strainer Capacity	3 litres
Skimming Rate	2 l per hour/wheel
Programming/Control	24 hour, 7 day, multi functional digital
Electrical Load	230VAC, 625 Watts 2.72 AMPS